

BM6G

- Stainless steel IP68 single point load cell
- Suitable for platform, belt scales and other weighing devices
- Maximum platform size 800 x 800mm (for 100- 500 kg)
- Maximum platform size 400 x 400mm (for 10 - 50 kg)
- 10kg only available with PTB certificate D09-10.06 Revision 1 of C R60/2000 DE1-10.02
- 10kg, 20 kg, 50 kg also available with C4MR approval with PTB certificate D09-10.06 revision 1, C of C R60/2000 DE1-10.02(Y=40000 Z=6000)

Features

- Capacities:200kg~500kg
- High accuracy
- Low profile and easy installation



Certificate no. 12-017

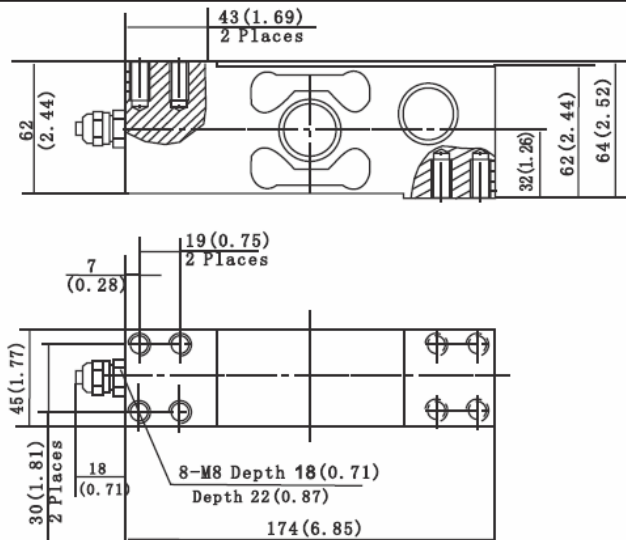


test certificate no. TC8011 revision 0
C of C no R60/2000-NL1-11.29

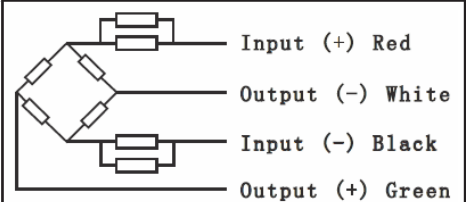
Specifications

Capacity	kg	200/300/400/500
Accuracy		C3
Maximum Number of Verification Intervals	Nmax	3000
Minimum Number of Verification Intervals	Vmin	E _{max} /10000
Output Sensitivity	(mV/V)	2.0±0.2/2.0±0.002
Input Resistance	(Ω)	350±3.5
Output Resistance	(Ω)	350±3.5
Insulation Resistance	(MΩ)	≥5000 (50VDC)
Zero Balance	(%FS)	1.5
Temperature, Compensated	(°C)	-10~+40
Temperature, Operating	(°C)	-35~+70
Excitation, Recommended	(V)	5~12 (DC)
Excitation, Max	(V)	18 (DC)
Safe Overload	(%FS)	150
Ultimate Overload	(%FS)	300

Dimensions in mm (in)



Wiring



- Shielded, 6 conductor cable: 0.2in
- Standard cable length: 3m