

HM9C

- Nickel plated alloy steel IP68 dual shear beam load cell
- High accuracy
- Suitable for truck and track scales and other heavy weighing devices
- Hermetically sealed



Features

- Capacities: 20K~60Klb
- High accuracy
- Alloy steel construction
- Easy installation and reliable performance
- PTB Approval No.: D09-06.46

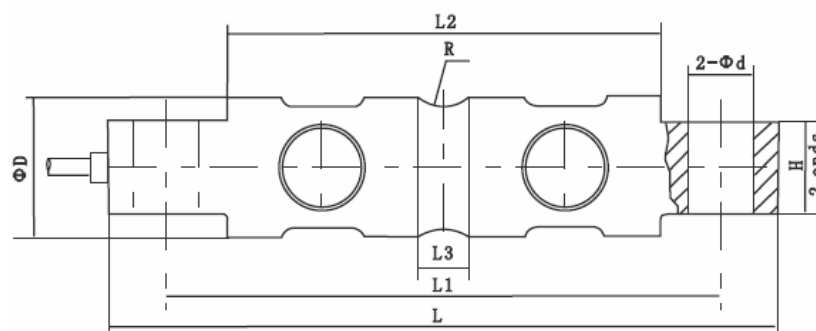


test certificate no. D09-06.46

Specifications

Capacity	Klb	20/30/40/50/60
Accuracy		N10
Maximum Number of Verification Intervals	Nmax	10000
Minimum Number of Verification Intervals	Vmin	E _{max} /10000
Output Sensitivity	(mV/V)	3.0±0.008
Input Resistance	(Ω)	700±7
Output Resistance	(Ω)	703±4
Insulation Resistance	(MΩ)	≥5000 (50VDC)
Zero Balance	(%FS)	1.0
Temperature, Compensated	(°C)	-10~+40
Temperature, Operating	(°C)	-35~+70
Excitation, Recommended	(V)	5~12 (DC)
Excitation, Max	(V)	18 (DC)
Safe Overload	(%FS)	150
Ultimate Overload	(%FS)	300

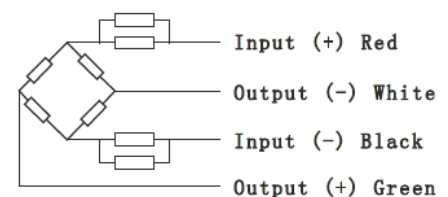
Dimensions in mm (in)



Outline Dimensions mm (inch)

Dimension	L	L1	L2	L3	φD	φd	H	R
Capacity								
20	206.2 (8.12)	174.6 (6.88)	133.1 (5.24)	21.6 (0.84)	φ49.5 (1.95)	φ16.7 (0.66)	28.4 (1.12)	R12.7 (0.5)
30-60	260.0 (10.25)	215.9 (8.5)	165.1 (6.5)	25.4 (1.0)	φ76.2 (3.0)	φ26.9 (1.06)	60.2 (2.37)	R25.4 (1.0)

Wiring



- Shielded, 4 conductor cable
- 20Klb: 0.2in
- 30k: 0.3in
- Standard cable length: 9m